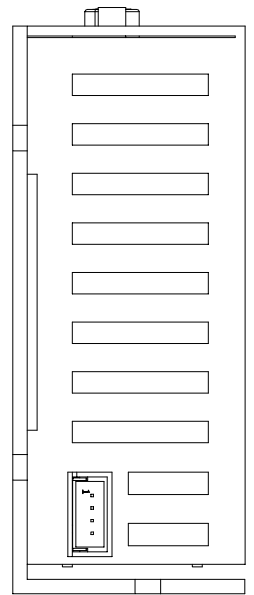
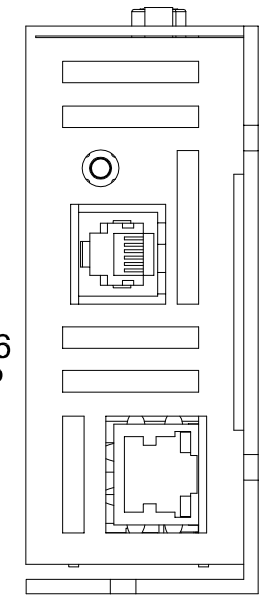
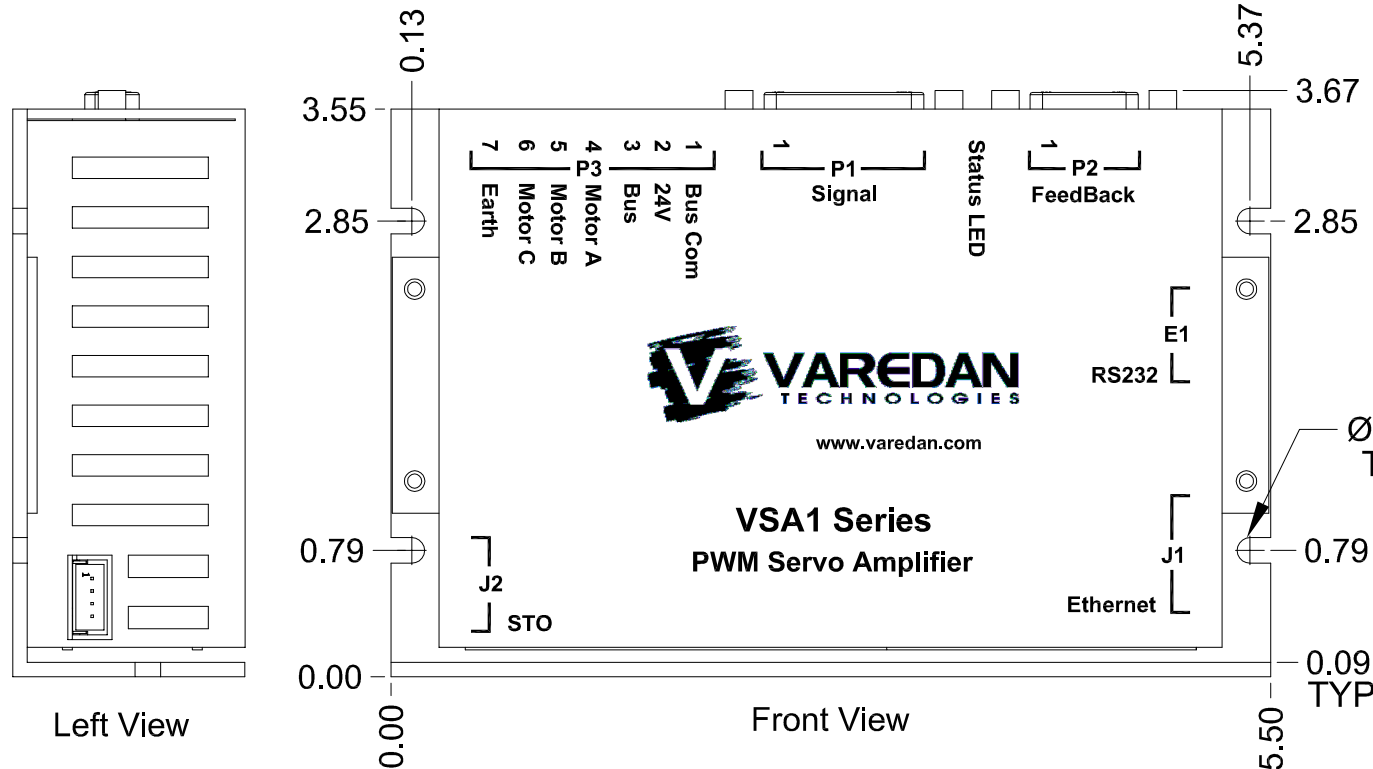
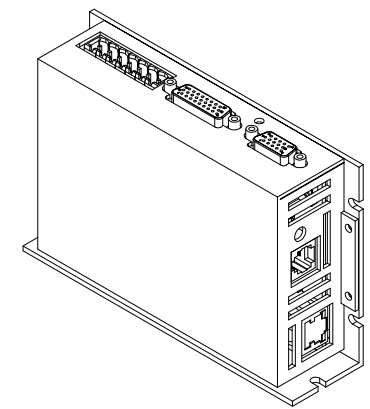
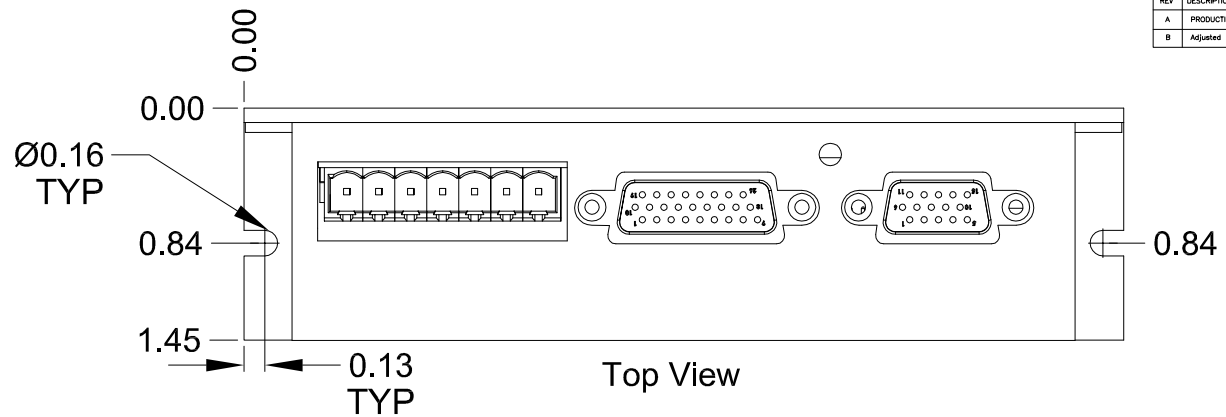


REV		DESCRIPTION	REVISIONS	DATE
A		PRODUCTION RELEASE		2-2-17
B		Adjusted package for RevC PCB		2-19-18



Notes:  
 1) All dimensions in inches  
 2) Amplifier shown with E1 RS232 card configuration

**VARE DAN TECHNOLOGIES**  
 3860 Del Amo Blvd.  
 Suite 401  
 Torrance, CA 90503  
 Tel (310) 542-2320  
 Fax (310) 542-2344

Title: VSA1 Series Amplifier - Mechanical Drawing

Number: 4055-36-001 Rev. B

Date: 2-2-17 Drawn by: T.W.C.

Filename: 4055-36-001.DWG

(c) Copyright 2001 Varedan Technologies: This drawing is the property of Varedan Technologies and may not be reproduced whole or in part, disclosed to others, used for manufacturing or any other purpose without prior written permission from Varedan Technologies.