

A

B

C

D

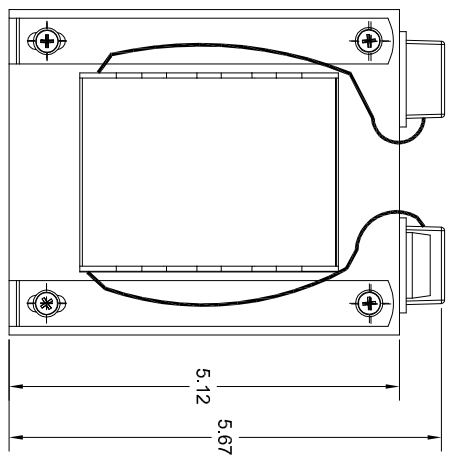
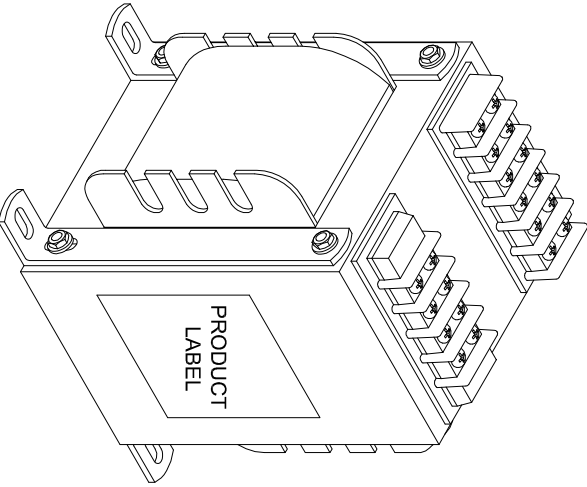
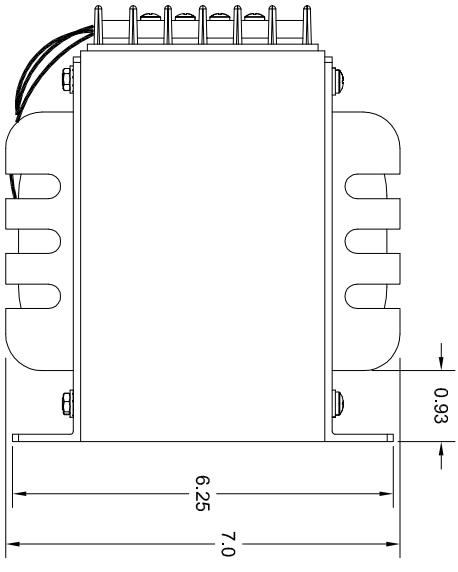
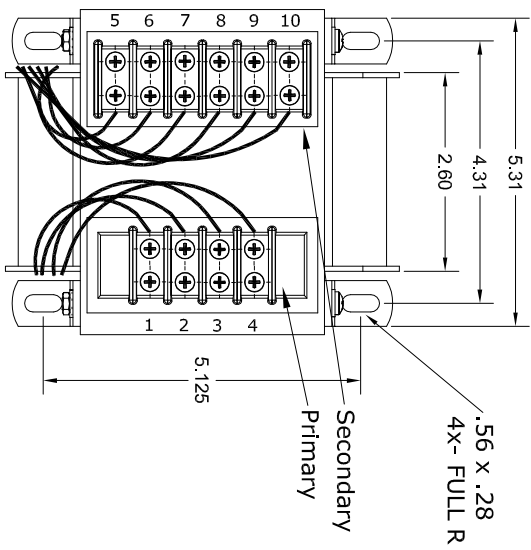
E

Product Series Configuration Table

Product Name	In-1	In-2	Out-1	Out-2
VTR-012-001	120VAC	240VAC	35VAC (±50VDC*)	50VAC (±70VDC*)

* DC voltage after VPS power supply

REV	ECN	DESCRIPTION	DATE
A		INITIAL RELEASE	5-25-17
B			

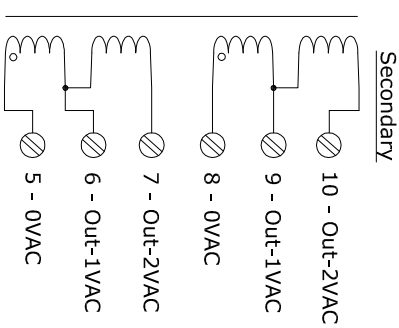
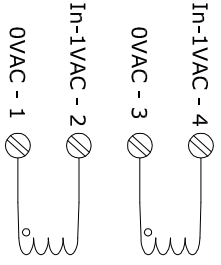


Transformer Connections:

- Primary:**
- In-1VAC - Connect 1 to 3 and 2 to 4
Apply In-1VAC 1 to 2
 - In-2VAC - Connect 2 to 3
Apply In-2VAC 1 to 4

Secondary:

- For Out-1VAC output configure as:
- Connect 5 to 8 to AC-CT of VPS-LA-4A (Varedan Power Supply)
 - Connect 6 to AC1 of VPS
 - Connect 9 to AC2 of VPS
- For Out-2VAC output configure as:
- Connect 5 to 8 to AC-CT of VPS
 - Connect 7 to AC1 of VPS
 - Connect 10 to AC2 of VPS



Specifications: 2KVA, In-1/In-2VAC Input

- Single Phase
- Center Tapped Isolation
- Step Down Transformer
- Weight: 38 lbs
- Frequency: 50/60Hz

**NOTE: 1. ALL DIMENSIONS IN INCHES
2. DRAWING IS NOT TO SCALE**

3860 Del Amo Blvd.
Suite 401
Torrance, CA 90503
Tel (310) 542-2320
Fax (310) 542-2344

Title: VTR-012 Series 2KVA Transformer Installation Dwg

Part Number: 4058-36-021

Date: May 25, 2017 **Drawn by:** JT

Filename: 4058-36-021.DWG

Rev.	A
------	---

(c) Copyright 2001 Varedan Technologies. This drawing is the property of Varedan Technologies and may not be reproduced whole or in part, disclosed to others, used for manufacturing or any other purpose without prior written permission from Varedan Technologies.